

Nero Wall Fires

It simply mounts on the wall ...

Mounting a fire setting onto an interior wall is an exciting new way to bring a decorative fire into a living space.

Nero Wall Fires hang from a simple to fit wall bracket.

The slender proportions of the Slimline Burners allow for an unobtrusive installation with Nero projecting just 170mm off the wall.

Nero Wall Fires are available in three sizes to match the Slimline Burners in 800mm, 1100mm and 1400mm.



Flame stability, efficiency, fuel economy and heat output are all enhanced with the latest burner technologies employed across the Icon Fires range.

Heat output and flame effect can be controlled with all Icon Fires burners. An industry first and exclusive to Icon Fires for this style of burner.

Nero Wall Fires



- Supplied complete with a matching burner.
- Choice of fascia: Black or Stainless Steel.
- Interior finish: Black.
- Suits indoor use only.
- Please refer to spec sheets and manuals for installation guides.

Nero 1150 Complete with SB800 Burner

Dimensions:
H590mm x L1150mm x D201.8mm
Fascia Finishes: ■ □
Capacity: 4.5 Litres
Consumption: avg 0.6 lt/hr
Burning Time: Up to 8 hours
Performance: 5.4 kW/hr rating

Nero 1450 Complete with SB1100 Burner

Dimensions:
H590mm x L1450mm x D226.8mm
Fascia Finishes: ■ □
Capacity: 6.25 Litres
Consumption: avg 0.9lt/hr
Burning Time: Up to 9 hours
Performance: 7.7 kW/hr rating

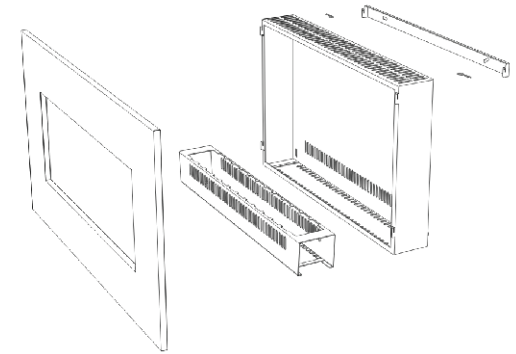
Nero 1750 Complete with SB1400 Burner

Dimensions:
H590mm x L1750mm x D226.8mm
Fascia Finishes: ■ □
Capacity: 8.15 Litres
Consumption: avg 1.0 lt/hr
Burning Time: up to 9 hours
Performance: 9.8 kW/hr rating

DISCLAIMER*

Specifications are subject to change without notice.
Current specification documentation can be obtained from www.iconfires.com

For more information visit
www.iconfires.com
or contact us at info@iconfires.com



Slender proportions, minimal projection off the wall.